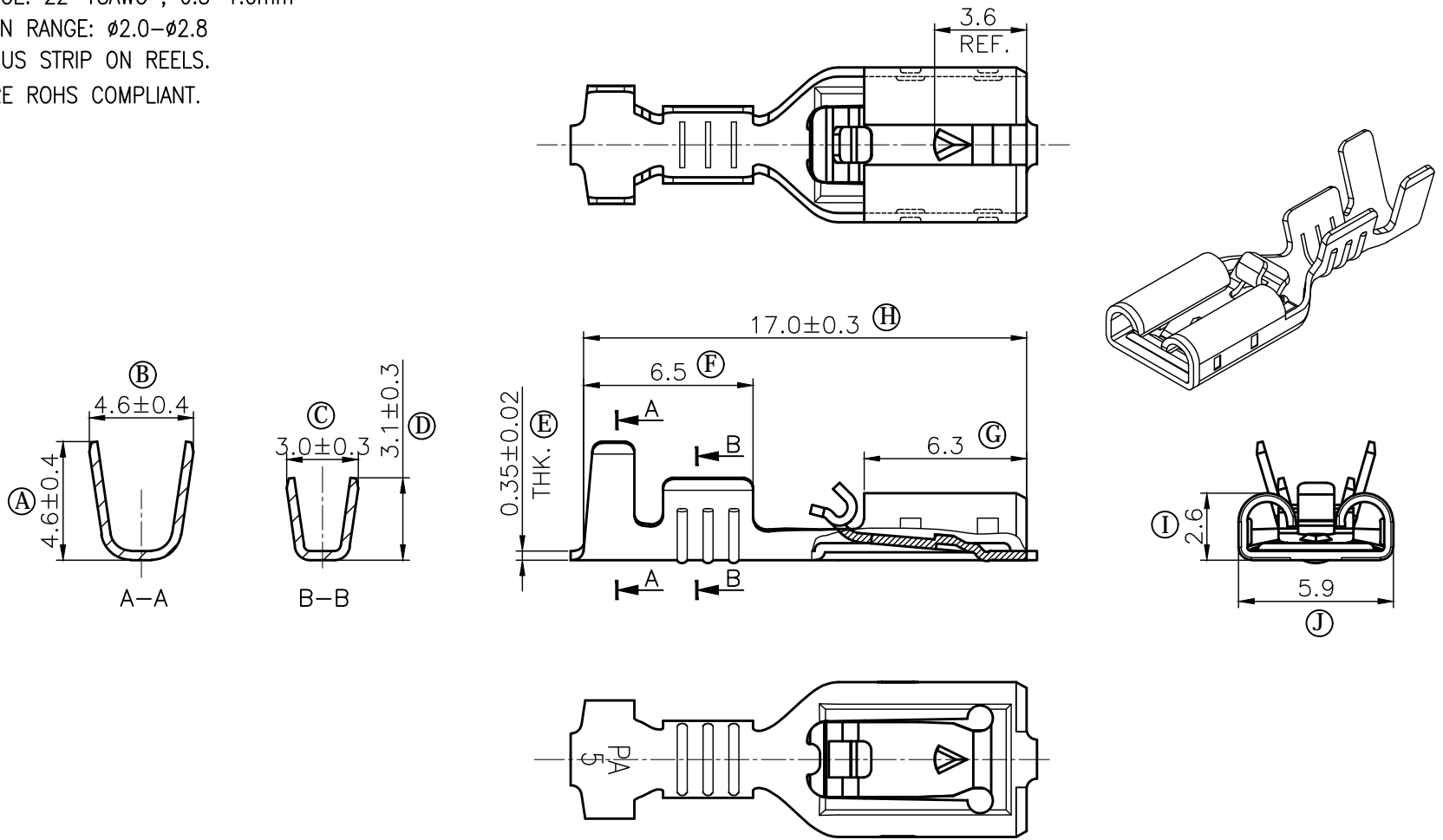


REV.	DESCRIPTION	APPROVED	DATE
A	INITIAL RELEASE	L.H.L	2018/08/09

- 1 MATERIAL: BRASS
- FINISH: TIN PLATED
- 2 MATING TAB: 4.8X0.5
- 3 WIRE RANGE: 22-18AWG , 0.5-1.0mm<sup>2</sup>
- INSULATION RANGE:  $\phi$ 2.0- $\phi$ 2.8
- 4 CONTINUOUS STRIP ON REELS.
- 5 PARTS ARE ROHS COMPLIANT.



CUSTOMER DRAWING	TITLE .187 LOCK-IN RECEPTACLES	MODEL NO.: LK1870502	DWN: L.H.L	2018/08/09	
		DWG NO. : CD-LK187-001	REV.: A	CHK: C.H.P	2018/08/09
GENERAL TOLERANCES (UNLESS SPECIFIED) .X $\pm$ 0.2 .XX $\pm$ 0.05 .XXX $\pm$ 0.01 A' $\pm$ 2'		UNIT: mm	SCALE: 4:1	APP:	<b>力幹企業有限公司</b> POWER ACT ENTERPRISE LIMITED