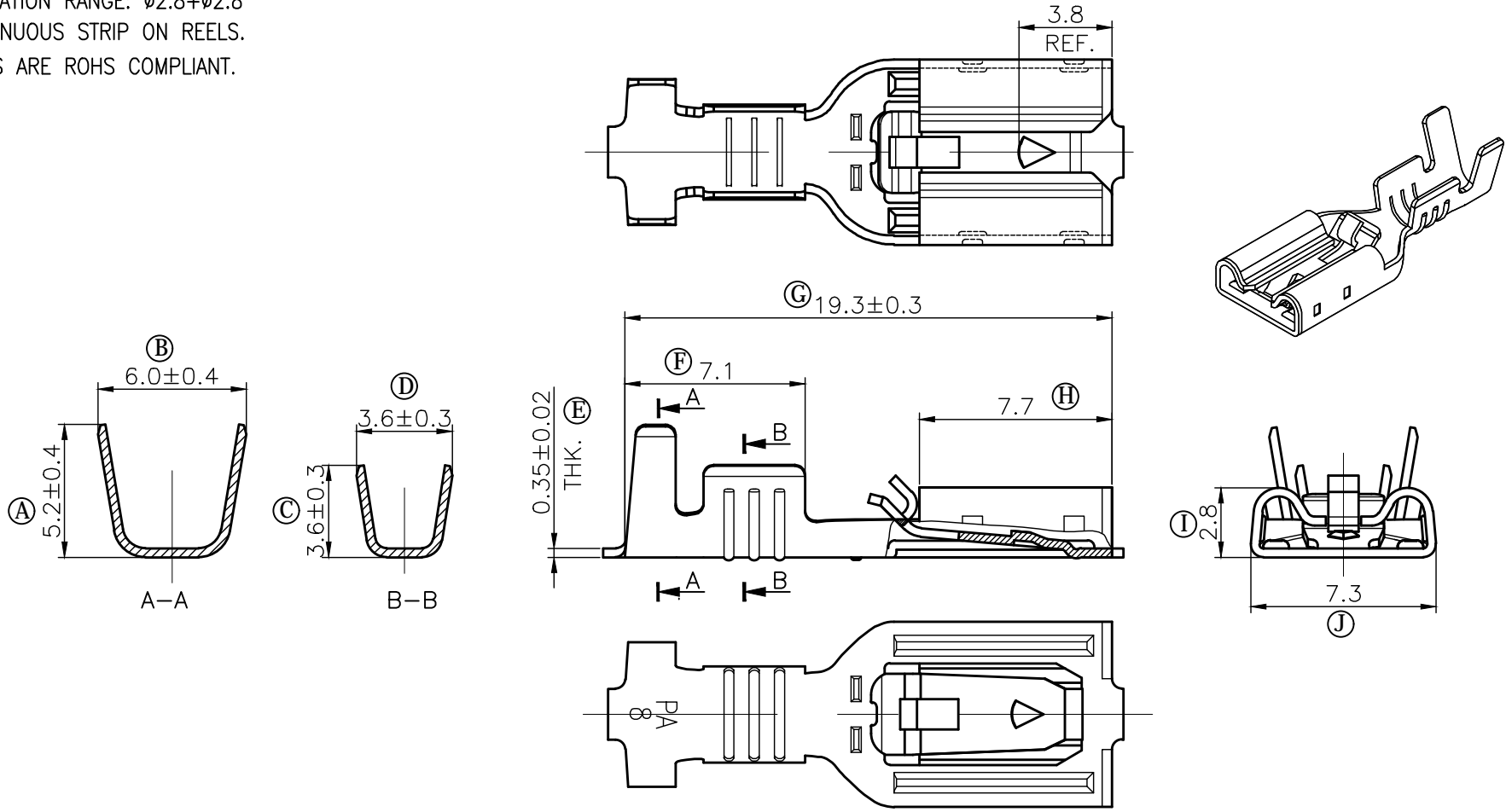


REV.	DESCRIPTION	APPROVED	DATE
A	INITIAL RELEASE	L.H.L	2018/09/18

- 1 MATERIAL: BRASS
- FINISH: TIN PLATED
- 2 MATING TAB: 6.3X0.8
- 3 WIRE RANGE: 0.75mm² +0.75mm²
- INSULATION RANGE: $\phi 2.8+\phi 2.8$
- 4 CONTINUOUS STRIP ON REELS.
- 5 PARTS ARE ROHS COMPLIANT.



CUSTOMER DRAWING	TITLE .250 LOCK-IN RECEPTACLES	MODEL NO.: LK2500802-L	DWN: L.H.L	2018/09/18	
		DWG NO. : CD-LK250-004	REV.: A	CHK: C.H.P	2018/09/18
GENERAL TOLERANCES (UNLESS SPECIFIED) .X ±0.2 .XX ±0.05 .XXX ±0.01 A' ±2'		UNIT: mm	SCALE: 5:1	APP: MARTIN	2018/09/18

