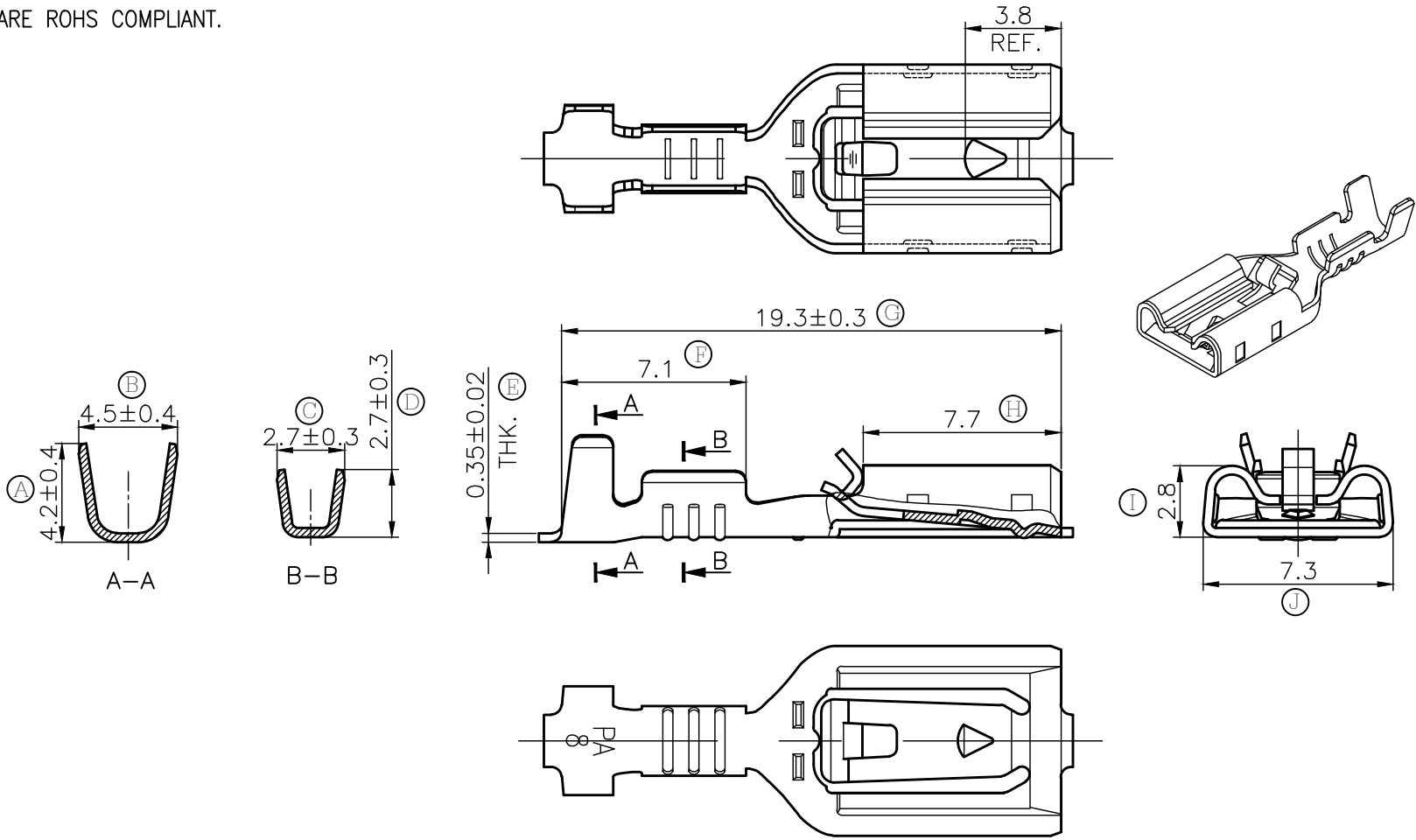



- 1 MATERIAL: BRASS
- FINISH: TIN PLATED
- 2 MATING TAB: 6.3X0.8
- 3 WIRE RANGE: 22-18 AWG, 0.50-0.75mm²
- INSULATION RANGE: $\phi 2.0-\phi 2.8$
- 4 CONTINUOUS STRIP ON REELS.
- 5 PARTS ARE ROHS COMPLIANT.

REV.	DESCRIPTION	APPROVED	DATE
A	INITIAL RELEASE	L.H.L	2018/01/25
B	E0180610	L.H.L	2018/06/02
C	E0180723	L.H.L	2018/07/21
D	E0180917	L.H.L	2018/09/13
E	E0190303	L.H.L	2019/03/06



CUSTOMER DRAWING	TITLE .250 LOCK-IN RECEPTACLES	MODEL NO.: LK2500802-S	DWN: L.H.L	2019/03/06	
		DWG NO. : CD-LK250-002	REV.: E	CHK: C.H.P	2019/03/06
GENERAL TOLERANCES (UNLESS SPECIFIED) .X ± 0.2 .XX ± 0.05 .XXX ± 0.01 A' $\pm 2'$		UNIT: mm	SCALE: 5:1	APP:	 力幹企業有限公司 POWER ACT ENTERPRISE LIMITED