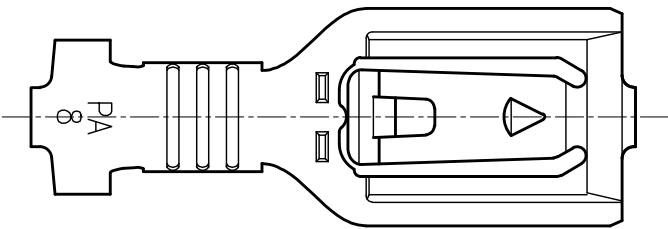
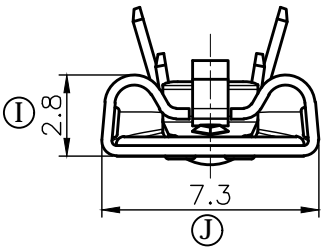
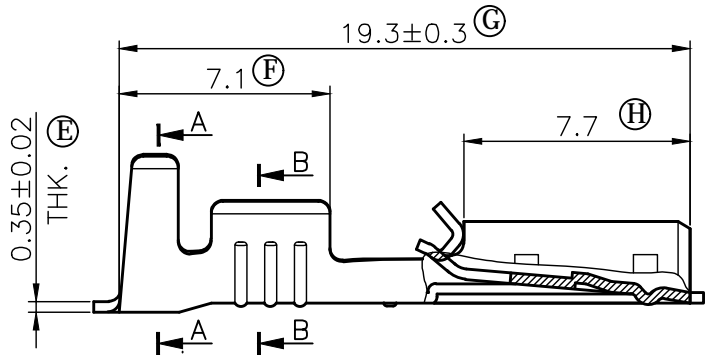
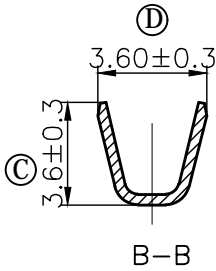
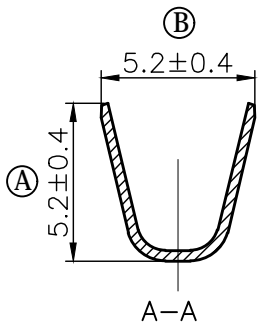
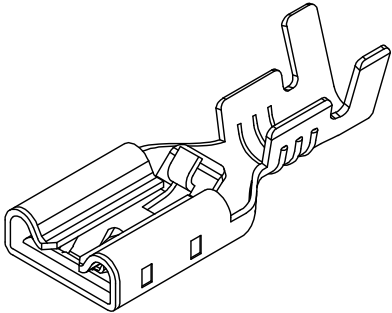
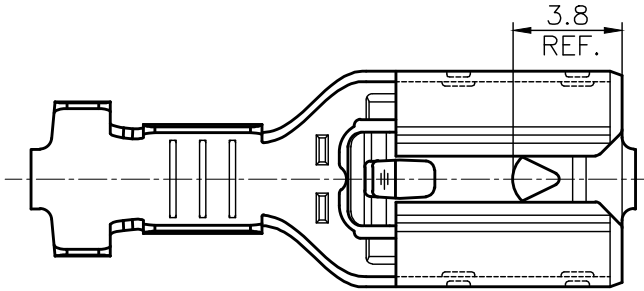


REV.	DESCRIPTION	APPROVED	DATE
A	INITIAL RELEASE	L.H.L	2018/01/25
B	E0180727	L.H.L	2018/08/09
C	E0191202	L.H.L	2019/12/05

- 1 MATERIAL: BRASS
- FINISH: TIN PLATED
- 2 MATING TAB: 6.3X0.8
- 3 WIRE RANGE: 18-14 AWG
- INSULATION RANGE: $\phi 2.5-\phi 3.5$
- 4 CONTINUOUS STRIP ON REELS.
- 5 PARTS ARE ROHS COMPLIANT.



CUSTOMER DRAWING	TITLE .250 LOCK-IN RECEPTACLES	MODEL NO.: LK2500802	DWN: L.H.L	2019/12/05	力幹企業有限公司 POWER ACT ENTERPRISE LIMITED	
		DWG NO. : CD-LK250-001	REV.: C	CHK: C.H.P		2019/12/05
GENERAL TOLERANCES (UNLESS SPECIFIED) .X ±0.2 .XX ±0.05 .XXX ±0.01 A' ±2'		UNIT: mm	SCALE: 5:1	APP:	2019/12/05	