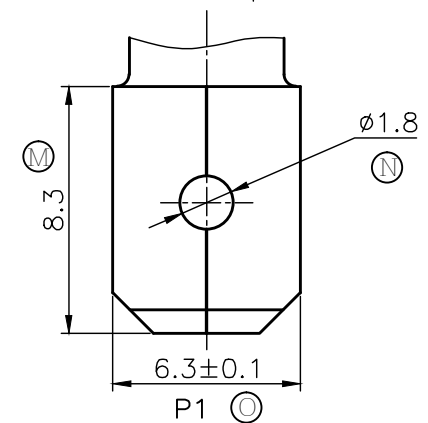
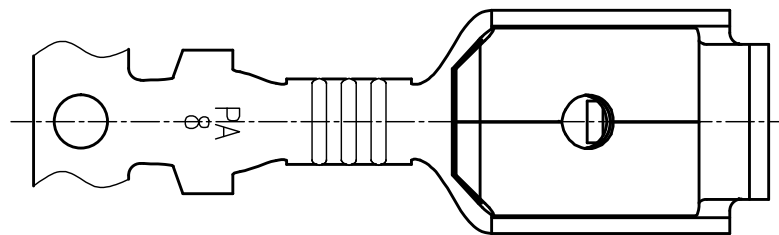
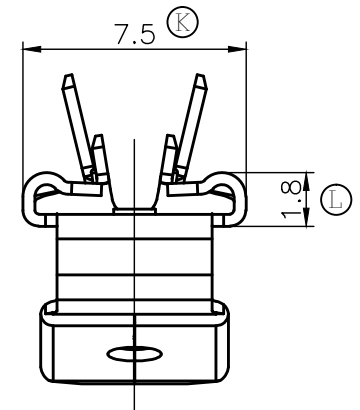
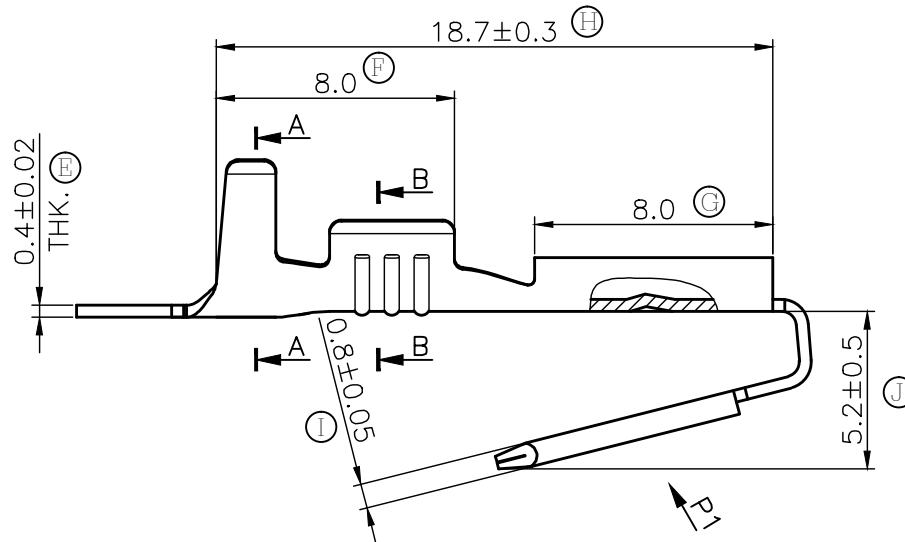
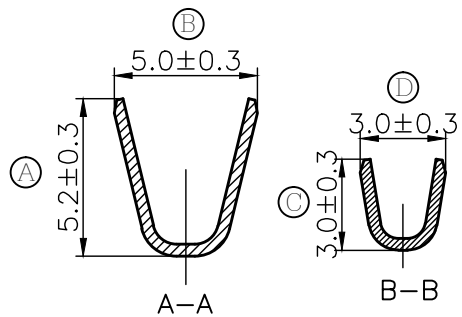
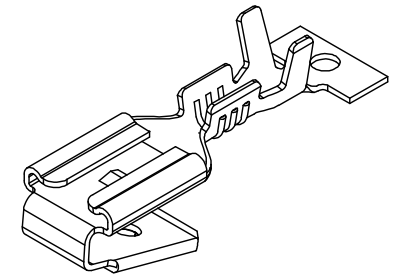
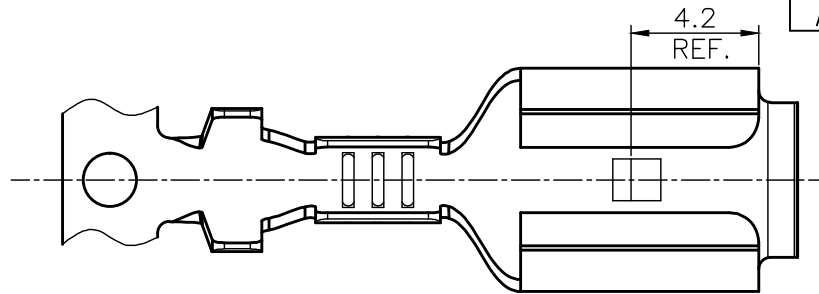


- 1 MATERIAL: BRASS
FINISH: TIN PLATED
- 2 MATING TAB: 6.3X0.8
- 3 WIRE RANGE: 22-18AWG
INSULATION RANGE: $\phi 2.0-\phi 3.1$
- 4 1500 PCS/REEL, 7 REELS/BOX,
TOTAL 10500 PCS/BOX
- 5 CONTINUOUS STRIP ON REELS.
- 6 PARTS ARE ROHS COMPLIANT.

REV.	DESCRIPTION	APPROVED	DATE
A	INITIAL RELEASE	L.H.L	2018/12/25



CUSTOMER DRAWING

TITLE
.250 PIGGY BACK RECE.

MODEL NO.: PG2500802

DWN: L.H.L 2018/12/25

DWG NO. : CD-PG250-019

REV.: A

CHK: C.H.P 2018/12/25

GENERAL TOLERANCES (UNLESS SPECIFIED) .X ±0.2 .XX ±0.05 .XXX ±0.01 A' ±2'

UNIT: mm

SCALE: 4:1



APP: MARTIN 2018/12/25

PAM 力幹企業有限公司
POWER ACT ENTERPRISE LIMITED