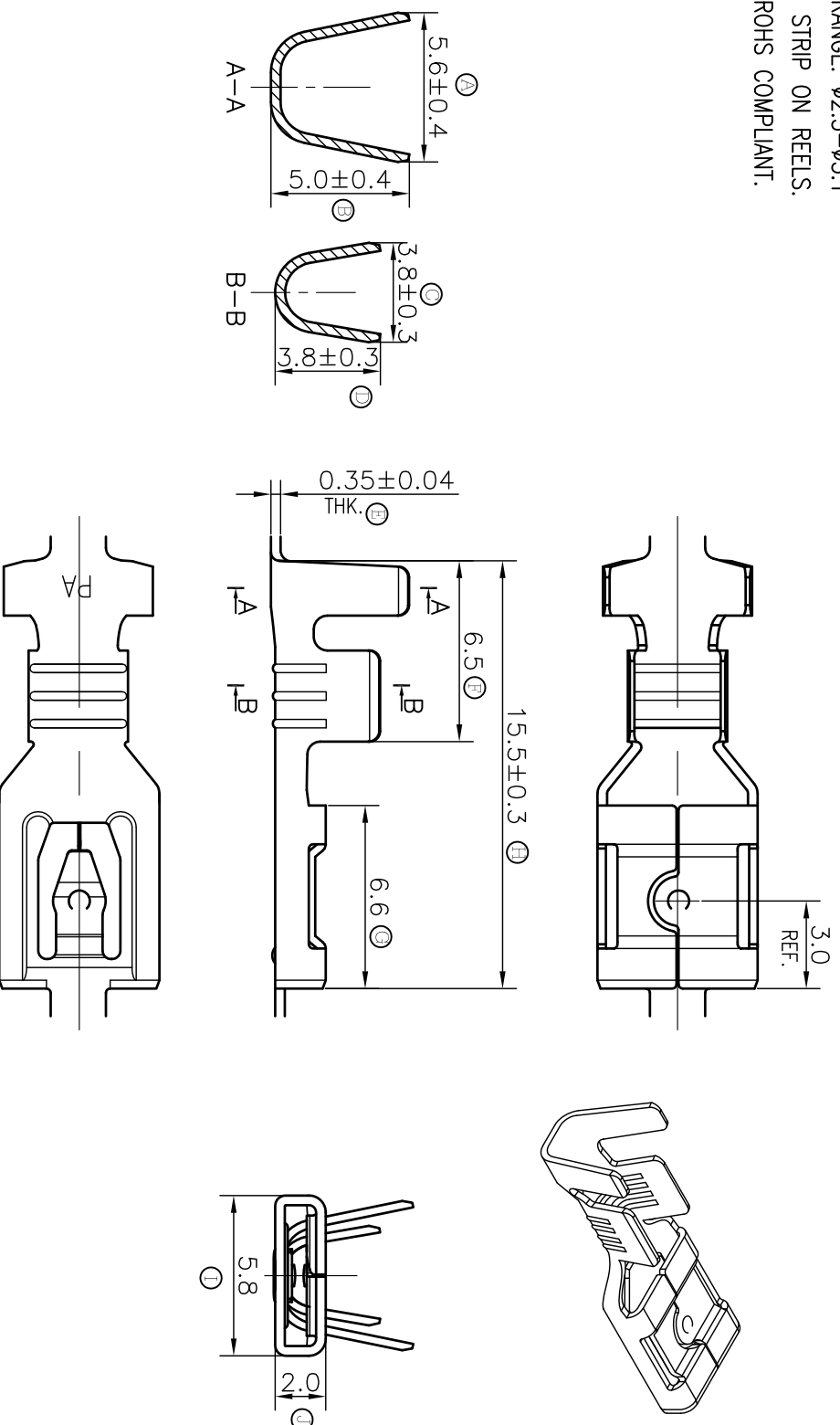


| REV. | DESCRIPTION     | APPROVED | DATE       |
|------|-----------------|----------|------------|
| A    | INITIAL RELEASE | L.H.L    | 2018/03/19 |

- 1 MATERIAL: BRASS
- FINISH: TIN-PLATED
- 2 MATING TAB: 4.8X0.8
- 3 WIRE RANGE: 0.75~1.0mm<sup>2</sup> (18-16AWG)
- INSULATION RANGE:  $\phi$ 2.5- $\phi$ 3.1
- 4 CONTINUOUS STRIP ON REELS.
- 5 PARTS ARE ROHS COMPLIANT.



|                                       |  |                        |            |             |            |
|---------------------------------------|--|------------------------|------------|-------------|------------|
| CUSTOMER DRAWING                      | TITLE  | MODEL NO.: SC1870802   |            | DWN: L.H.L  | 2018/03/19 |
|                                       | .187 SLIP-ON RECEPTACLE                                      | DWG NO. : CD-SC187-009 | REA: A     | CHK: C.H.P  | 2018/03/19 |
| GENERAL TOLERANCES (UNLESS SPECIFIED) | .X $\pm 0.2$ .XX $\pm 0.05$ .XXX $\pm 0.01$ A' $\pm 2^\circ$ | UNIT: mm               | SCALE: 4:1 | APP: MARTIN | 2018/03/19 |



力幹企業有限公司  
POWER ACT ENTERPRISE LIMITED